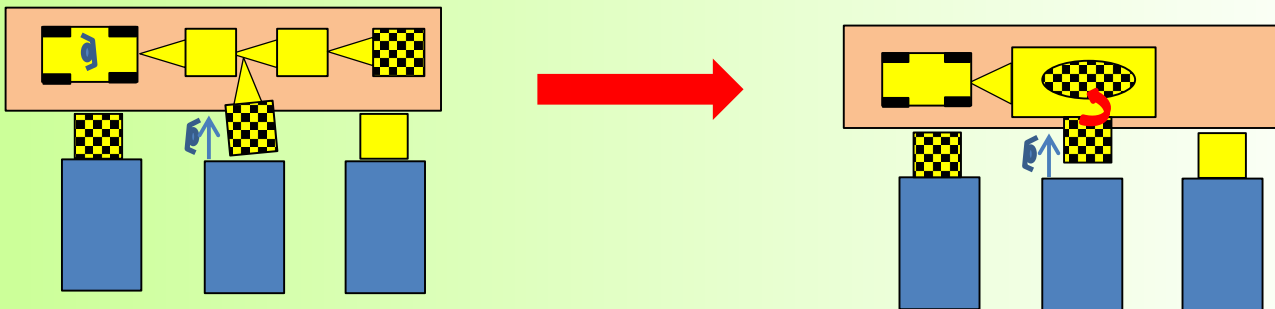
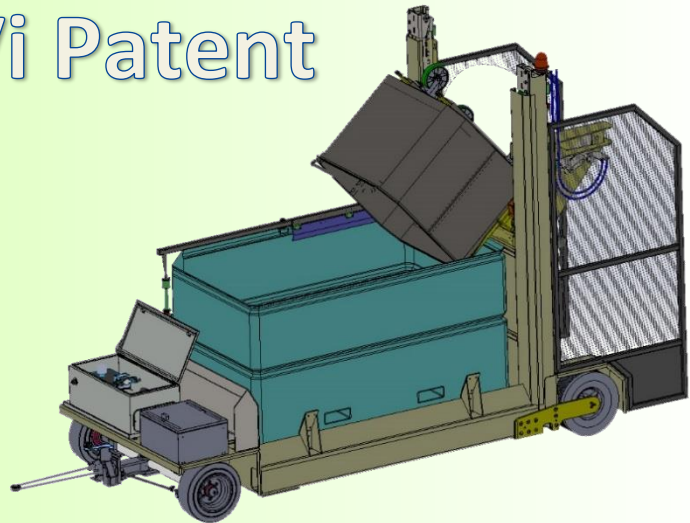


Containers/Trailer for chips recovery in machining production line



Vi Patent



SPECIFICATIONS:

- Forklift truck suppression in production lines
- Productivity increase
- Light and ergonomic machine-tools containers
- Electric power
- Adaptable to others productions lines