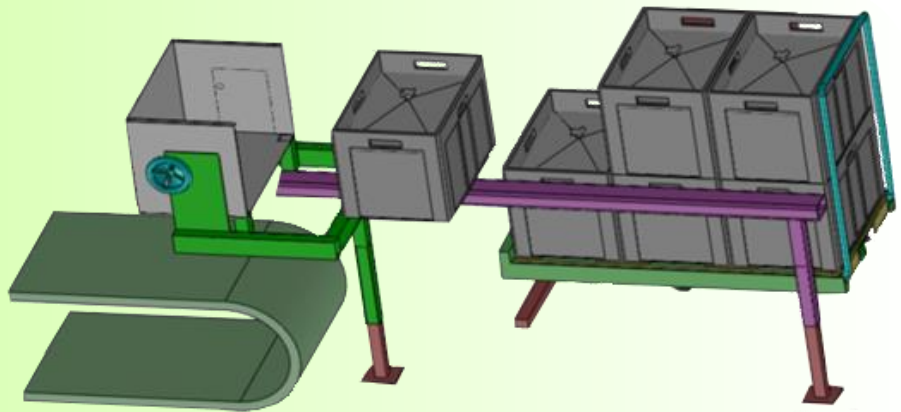


# ***Boxes loading on pallet without manual lift***



**Vi Patent**



## **SPECIFICATIONS:**

- No manual lift for loading and unloading
- Ergonomic solution (no lift)
- Simple and cost effective solution
- Small floor surface required
- Rolling or slipping arms