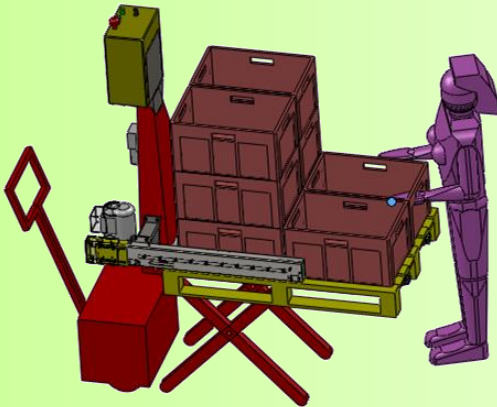
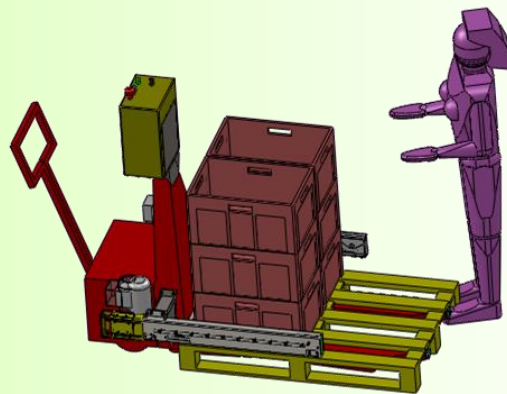


BOXES PUSHER FOR LOADING MACHINE

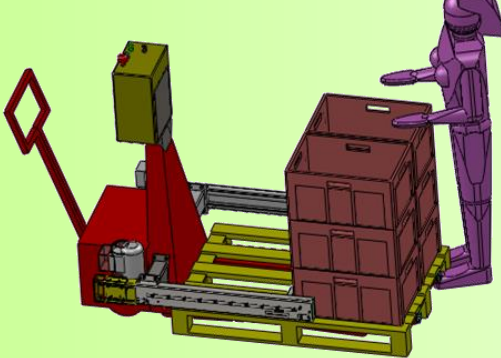
UNLOADING BOXES IN FRONT OF THE OPERATOR



PALLETE DOWN



BOXES PUSHING NEAR THE OPERATOR



SPECIFICATIONS:

- Possible adaptation on different forklift
- Several size boxes
- Load 450 kg
- Penibility decreased
- Moving equipment
- Cost effective solution